

### BATHROOM FAUCET:

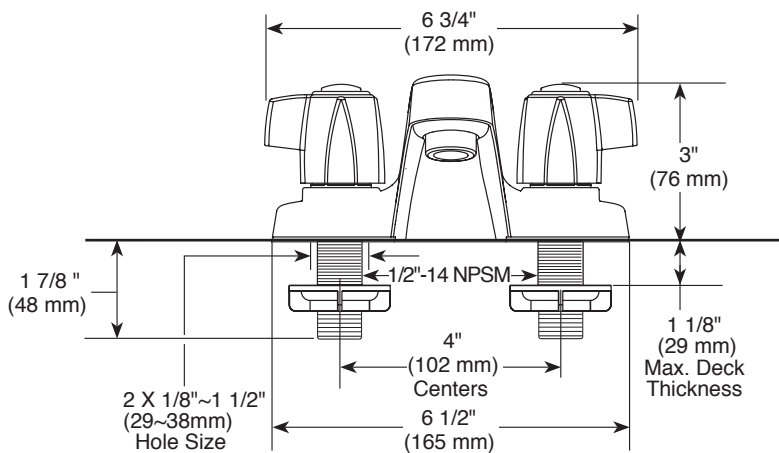
- Two handle, blade, centerset bathroom faucet

### STANDARD SPECIFICATIONS:


- Maximum flow rate 1.2 gpm @ 60 psi, 4.5 L/min @ 414 kPa
- Two or three hole mount
- The fully replaceable, washerless valve design rotates from the full-off position to the full-on position
- The valve stems on the hot and cold stems are interchangeable
- 1/2"-14 NPSM threaded male inlet shanks.

### WARRANTY:

- Parts and Finish - Lifetime limited warranty; or for commercial purchasers, 10 years for multi-family residential (apartments and condominiums) and 5 years for all other commercial uses, in each case from the date of purchase.



### COMPLIES WITH:

- ASME A112.18.1 / CSA B125.1
-  Indicates compliance to ICC / ANSI A117.1
- EPA WaterSense®