

TOTAL

One-Stop Tools Station

TOTAL

ASPIRATOR BLOWER

TB2066, UTB2066

TB2066-6, TB2066-8, TB2066S



INDUSTRIAL



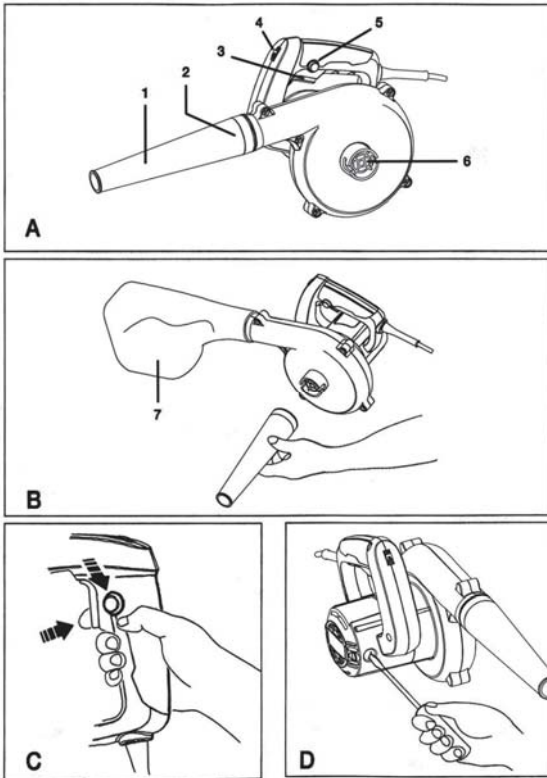
600W

Important Safeguards

While using electrical appliances, in order to reduce the risk of fire, electric shock, and/or injury to persons, basic safety precautions should be followed, including the following:

- Read all instructions carefully, even if you are familiar with the appliance.
- To protect against the risk of electric shock, **DO NOT IMMERSE** the appliance, cord set or plug in water or other liquids.
- To clean, wipe the exterior with a damp cloth.
- Close supervision is necessary when any appliance is used near children. Never leave an appliance unattended when in use.
- If the supply cord is damaged, it must be replaced by the manufacturer or its service agent or a similarly qualified person in order to avoid a hazard.
- Switch off and remove the plug from the power outlet when not in use before assembling or disassembling parts, cleaning or carrying out any maintenance of the appliance. Never pull the cord while unplugging out from power outlet.
- Do not operate the appliance if its damage in any manner. Return the complete appliance to your nearest authorized service facility for examination, electrical repair, mechanical repair or adjustments to avoid any hazard.
- The use of attachments or accessories not recommended or sold by this appliance manufacturer may result in fire, electric shock or personal injury.
- Do not let the cord hang over the edge of a table, counter, or touch hot surfaces.
- Avoid touching hot surfaces, use handles and knobs.
- Do not operate or place any part of this appliance on or near any hot surfaces (such as gas or electric burner or in a heated oven).
- Do not abuse the cord, Never carry the appliance by the cord or yank it to disconnect it from the outlet; instead, grasp the plug and pull to disconnect.
- When using an extension cord with your appliance, make sure the extension cord is correctly wired, and rated for its use.
- This product is intended for household use only.
- Do not attempt to repair the appliance yourself; instead, take it to your Manufacture-owned or Authorized Service Centre for repair.

Parts Identification



1. Nozzle
2. Blast Port
3. Trigger Switch
4. Variable Speed Knob
5. Lock-On Button
6. Suction Port
7. Dust Bag

Intended use

Your Blower has been designed for blowing & cleaning applications, as well as light suction purpose.

General Safety Rules

Warning! Read all instructions. Failure to follow all instructions listed below may result in electric shock, fire and/or serious injury. The term "power tool" in all of the warnings listed below refers to your mains operated (corded) power tool or battery operated (cordless) power tool. SAVE THESE INSTRUCTIONS.

1. Work area

- a. Keep work area clean and well lit. Cluttered and dark areas invite accidents.
- b. Do not operate power tools in explosive atmospheres, such as in the presence of flammable liquids, gases or dust. Power tools create sparks which may ignite the dust or fumes.
- c. Keep children and bystanders away while operating a power tool. Distractions can cause you to lose control.

2. Electrical safety

- a. Power tool plugs must match the outlet. Never modify the plug in any way. Do not use any adapter plugs with earthed (grounded) power tools. Unmodified plugs and matching outlets will reduce risk of electric shock.
- b. Avoid body contact with earthed or grounded surfaces such as pipes, radiators, ranges and refrigerators. There is an increased risk of electric shock if your body is earthed or grounded.
- c. Do not expose power tools to rain or wet conditions. Water entering a power tool will increase the risk of electric shock.
- d. Do not abuse the cord. Never use the cord for carrying, pulling or unplugging the power tool. Keep cord away from heat, oil, sharp edges or moving parts. Damaged or entangled cords increase the risk of electric shock.
- e. When operating a power tool outdoors, use an extension cord suitable for outdoor use. Use of a cord suitable for outdoor use reduces the risk of electric shock.

3. Personal Safety

- a. Stay alert, watch what you are doing and use common sense when operating a power tool. Do not use a power tool while you are tired or under the influence of drugs, alcohol or medication. A moment of inattention while operating power tools may result in serious personal injury.
- b. Use safety equipment. Always wear eye protection. Safety equipment such as dust mask, non-skid safety shoes, hard hat, or hearing protection used for appropriate conditions will reduce personal injuries.
- c. Avoid accidental starting. Ensure the switch is in the off position before plugging in. Carrying power tools with your finger on the switch or plugging in power tools that have the switch on invites accidents.
- d. Remove any adjusting key or wrench before turning the power tool on. A wrench or a key left attached to a rotating part of the power tool may result in personal injury.
- e. Do not overreach. Keep proper footing and balance at all times. This enables better control of the power tool unexpected situations.
- f. Dress properly. Do not wear loose clothing or jewellery. Keep your hair, clothing and

gloves away from moving parts. Loose clothes, jewellery or long hair can be caught in moving parts.

- g. If devices are provided for the connection of dust extraction and collection facilities, ensure these are connected and properly used. Use of these devices can reduce dust related hazards.
 - h. Use clamps or another practical way to secure and support the workpiece to a stable platform. Holding the work by hand or against your body leaves it unstable and may lead to loss of control.
- Before drilling into walls, floors or ceilings check for the location of wiring and pipes, Avoid touching the tip of a drill bit just after drilling, as it may be hot.

4. Power tool use and care

- a. DO not force the power tool. Use the correct power tool for your application. The correct power tool will do the job better and safer at the rate for which it was designed.
- b. Do not use the power tool if the switch does not turn it on and off. Any power tool that cannot be controlled with the switch is dangerous and must be repaired.
- c. Disconnect the plug from the power source before making any adjustments, changing accessories, or storing power tools. Such preventive safety measures reduce the risk of starting the power tool accidentally.
- d. Store idle power tools out of the reach of children and do not allow persons unfamiliar with the power tool or these Instructions to operate the power tool. Power tools are dangerous in the hands of untrained users.
- e. Maintain power tools. Check for misalignment or binding of moving parts, breakage of parts and any other condition that may affect the power tools operation. If damaged, have the power tool repaired before use. Many accidents are caused by poorly maintained power tools.
- f. Keep cutting tools sharp and clean. Properly maintained cutting tools with sharp cutting edges are less likely to bind and are easier to control.
- g. Use the power tool, accessories and tool bits etc., in accordance with these instructions and in the manner intended for the particular type of power tool, taking into account the working conditions and the work to be performed Use of the power tool for operations different from those intended could result in a hazardous situation.

5. Service

- a. Have your power tool serviced by a qualified repair person using only identical replacement parts. This will ensure that the safety of the power tool is maintained.

Additional Safety Instructions For Blowers

Do not collect still smoldering cigarette ashes, freshly cut metals shaving, screws, nails and the like.

Never block suction inlet and outlet.

Warning Symbols



Read the operation manual and follow all warnings and safety instructions.



Do not use your saw in wet conditions or expose it to rain.



Always wear eye protection.



Always wear ear protection.



Beware of falling objects.



Keep bystanders away.



Do not touch the fan. The tines will continue to rotate for a short time after switch off.



Conformance complies with **Europe** relevant standards.



Meaning of crossed –out wheeled dustbin:

Do not dispose of electrical appliances as unsorted municipal waste, use separate collection facilities.

Electrical safety



This tool is double insulated; therefore no earth wire is required. Always check that the power supply corresponds to the voltage on the rating plate.

Assembly

Warning! Before assembly, make sure that the tool is switched off and unplugged.

Use

Mounting The Nozzle For Blowing Operations (Fig. A)

- Insert the pin located inside the Nozzle into the notch provided on the Blast Port (1).
- To lock Nozzle in place, turn the Nozzle in the direction indicated.
- To remove Nozzle, turn the Nozzle in the opposite direction.

Mounting The Nozzle And Dust Bag For Dust Collection (fig. B)

- For dust collection, mount the Dust Bag at the Blast Port (2) and Nozzle at the suction Port (6).
- To remove Dust Bag and Nozzle, simply pull out by first turning in the opposite direction.
- Empty the Dust Bag frequently to ensure maximum dust collecting efficiency.
- Adjust Variable Speed Knob (4) for different speed requirement.
- When continuous operation is required, first depress the switch and then the lock-on button (5) and release to disengage lock, squeeze and release switch.

Warning: Continuous running of machine should not exceed 30 minutes.

Replacing Carbon Brushes (fig. D)

- Use a screwdriver to remove the brush holder cap.
- Take out the worn carbon brush, insert the new one and secure the brush holder cap.

Warning! Remove and check the carbon brushes regularly. Replace when they wear down to the limit mark.

Accessories

The performance of your tool depends on the accessory used. Manufacture and Piranha accessories are engineered to high quality standards and designed to enhance the performance of your tool. By using these accessories you will get the very best from your tool.


Maintenance

Your tool has been designed to operate over a long period of time with a minimum of maintenance. Continuous satisfactory operation depends upon proper tool care and regular cleaning.

Warning! Before performing any maintenance, switch off and unplug the tool.

- Regularly clean the ventilation slots in your tool using a soft brush or dry cloth.
- Regularly clean the motor housing using a damp cloth. Do not use any abrasive or solvent-based cleaner.

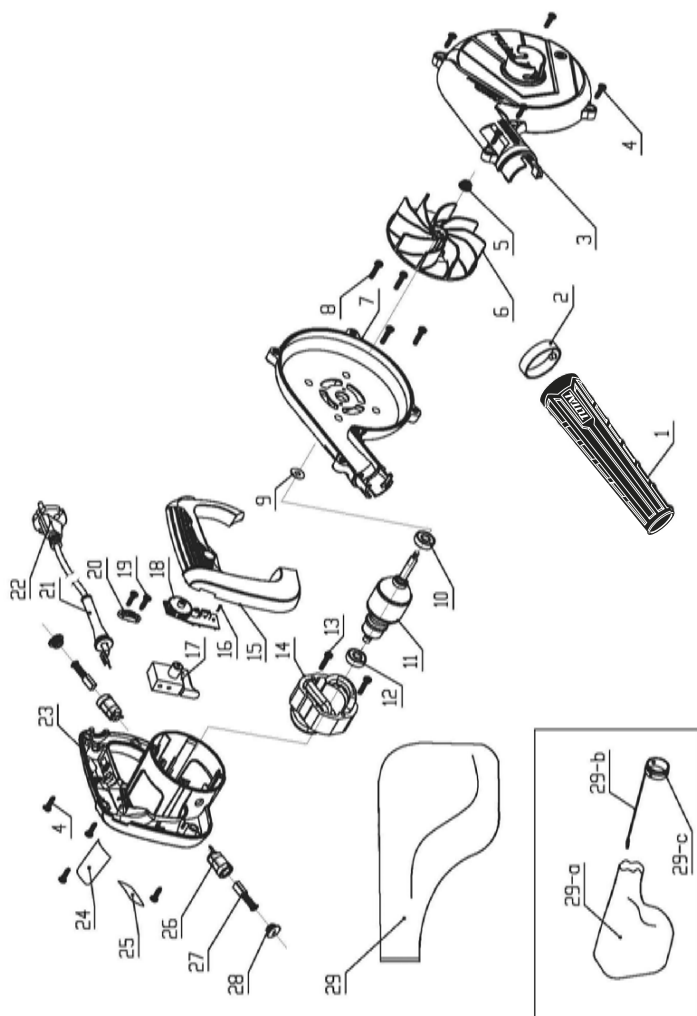
Technical data

Model:	TB2066	TB2066-6 (ISRAEL plug)	TB2066-8 (BS plug)	TB2066S (SAA plug)	UTB2066
Rated voltage:	220-240V				110-120V
Frequency:	50/60Hz				60Hz
Power input:	600W				
No-load speed:	0-16000/min				
Max blowing rate:	0-3.5m ³ /min				
Insulation class:					
Sound pressure level (according to IEC 60745):	90 dB (A)				
Sound power level (according to IEC 60745):	103 dB (A)				
Vibration level (according to IEC 60745):	$\leq 3.5 \text{ m/s}^2$				
Weight:	1.6 kg				

TB2066,UTB2066,TB2066-6,TB2066-8,TB2066S Spare part list

No.	Part Description	QTY	No.	Part Description	QTY
1	Blower pipe	1	17	Switch	1
2	Blower pipe ring	1	18	PCB switch	1
3	Left blower guard	1	19	Tapping Screw	2
4	Tapping Screw	9	20	Cable clamp	1
5	Lock-nut with flang	1	21	Cord Jacket	1
6	Fan	1	22	Cord plug	1
7	Right blower guard	1	23	Motor housing	1
8	Tapping Screw	4	24	Rating label	1
9	Washer	1	25	Brand label	1
10	Bearing	1	26	Brush holder	2
11	Armature	1	27	Carbon Brush	2
12	Bearing	1	28	brush cover	2
13	Tapping Screw	2	29	Dust bag Assm	1
14	Stator	1	29a	Cloth	1
15	Handle cover	1	29b	Steel wire	1
16	Tapping Screw	1	29c	Dust bag ring	1

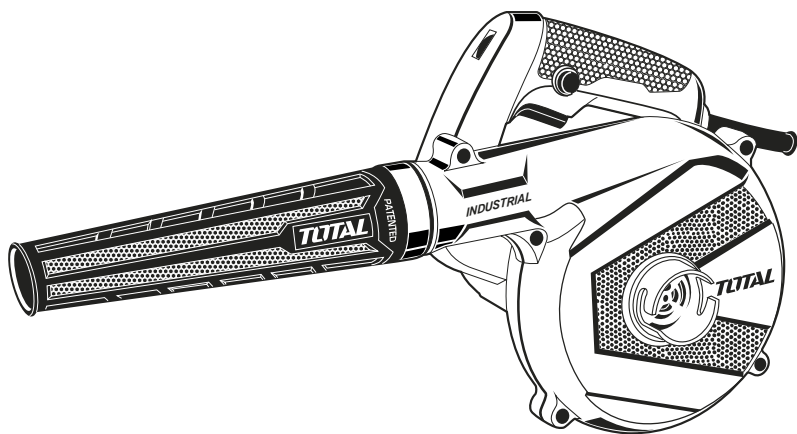
TB2066,UTB2066,TB2066-6,TB2066-8,TB2066S Exploding view



TOTAL

One-Stop Tools Station

TOTAL



ASPIRATOR BLOWER

www.totaltools.cn
TOTAL TOOLS CO., LIMITED
MADE IN CHINA
T0416.V02

600W