

**Single Handle 4" Lavatory Faucet**  
**W8380001-2, W8380029-2**

**Description**

- Single handle 4" center set lavatory faucet
- Zinc die cast housing
- Stainless steel ball washerless valve
- 50-50 pop-up assembly
- 1/2" NPS Connections
- 1.2 GPM ASME Compliant



• W8380001-2

**Standards**

- ASME A112.18.1 Compliant
- Listed IAPMO / UPC
- ADA Accessibility Guidelines for Buildings and Facilities - 4.27.4 Controls and Mechanisms (lever handle only)
- NSF - 61-9 tested and approved
- CSA B125.1 Compliant and listed



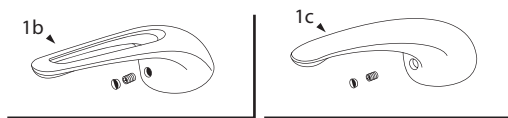
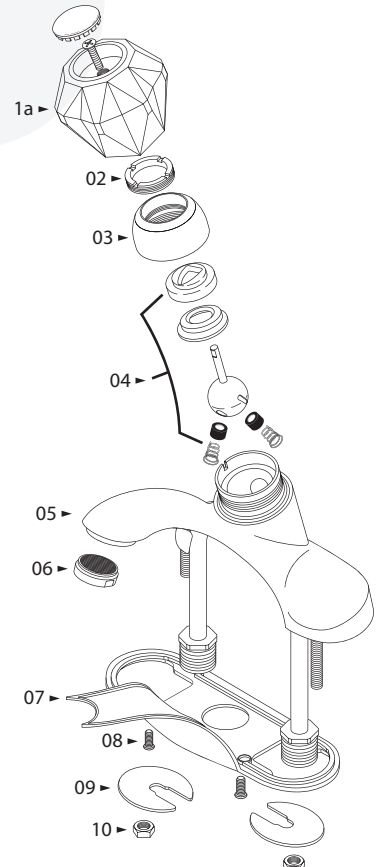
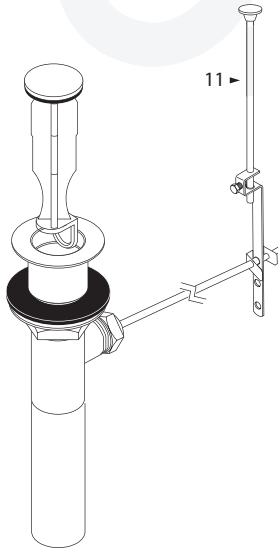
**Colors / Finishes**

- W8380001-2 - Chrome
- W8380029-2 - Satin Nickel

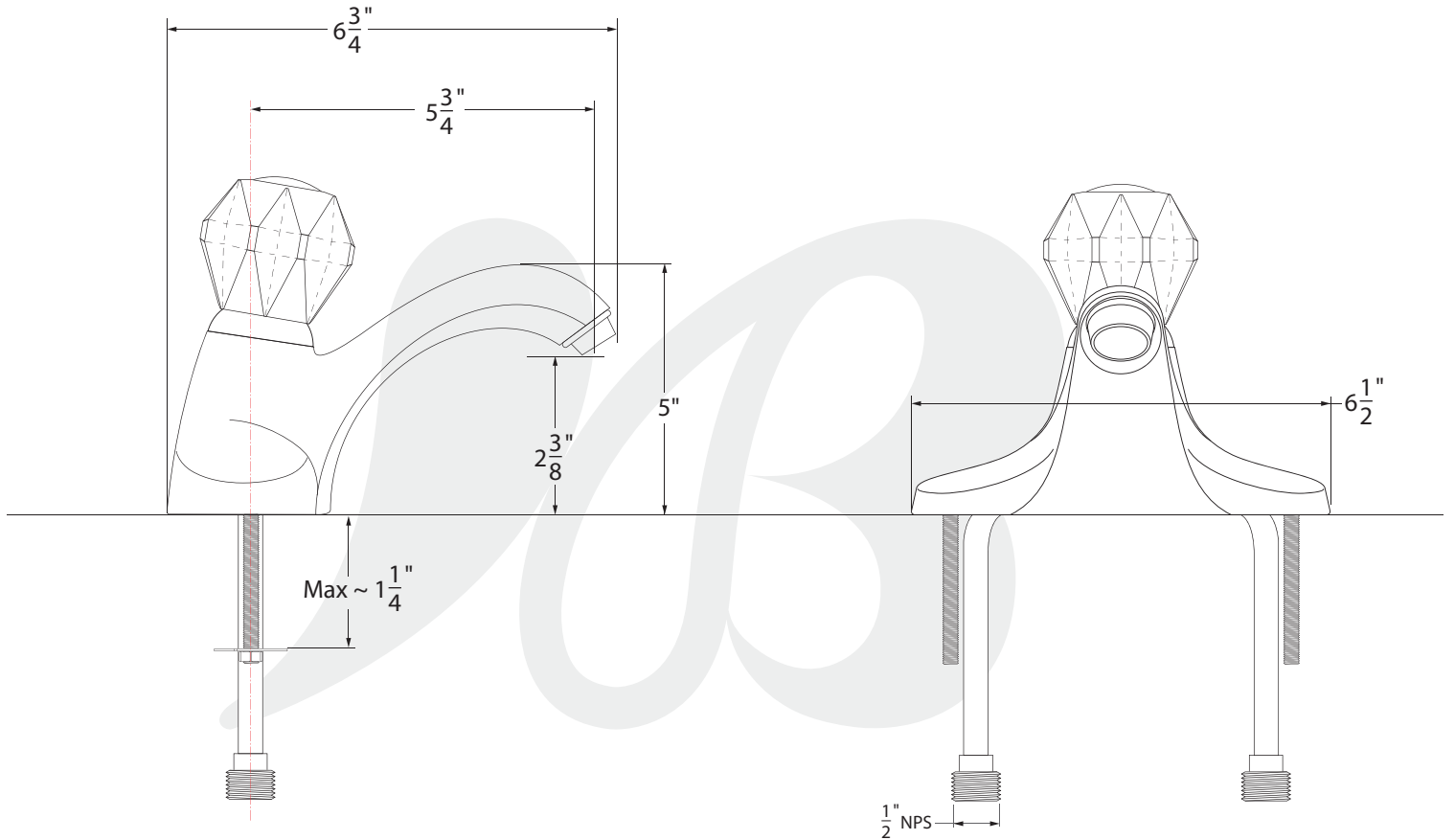
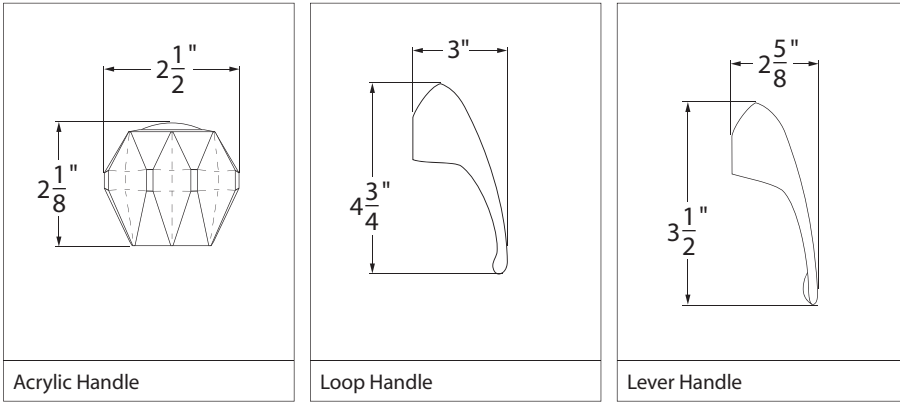
Special Handle Option  
Lever / Loop / Acrylic

**BREAK DOWN**  
**Component Parts List**

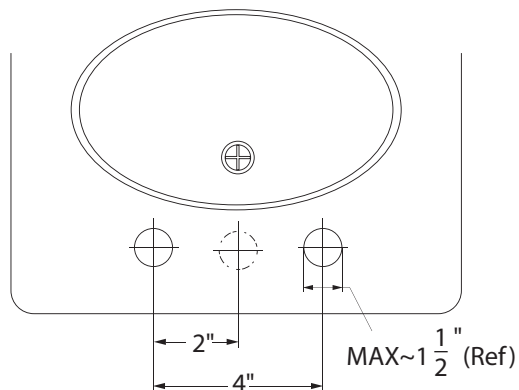
#	PART NAME	QTY
1a	ACRYLIC HANDLE (HB5230)	1
1b	LOOP HANDLE (HB5130)	1
1c	LEVER HANDLE (W83800xx-2)	1
2	CARTRIDGE RETAINING NUT	1
3	CAP	1
4	S.S. BALL CARTRIDGE	1
5	VALVE BODY & HOUSING	1
6	AERATOR	1
7	UNDER PLATE	1
8	SCREWS	2
9	MOUNTING WASHERS	2
10	MOUNTING NUTS	2
11	POP-UP ASSEMBLY	1



# SPECIFIED MODEL - Handle Options



4" Center set installation



Item Number	Type	Date
W8380001-2, W8380029-2	Single Handle Lavatory	01/29/2016