

Hydro-BPS



Hydro-BPS Series Pumps are possibly our best pumps with outstanding flow rate efficiency.

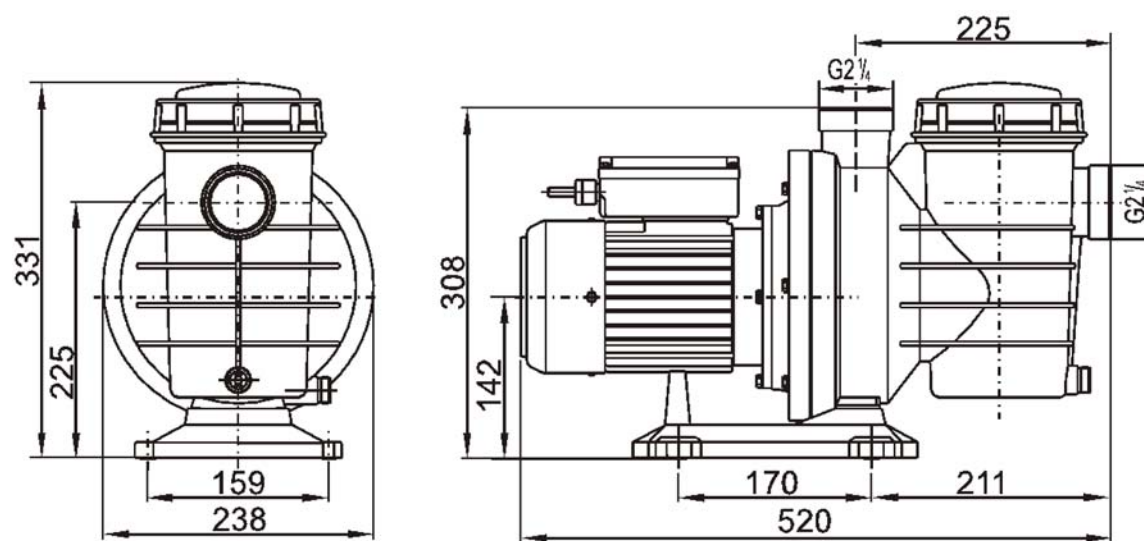
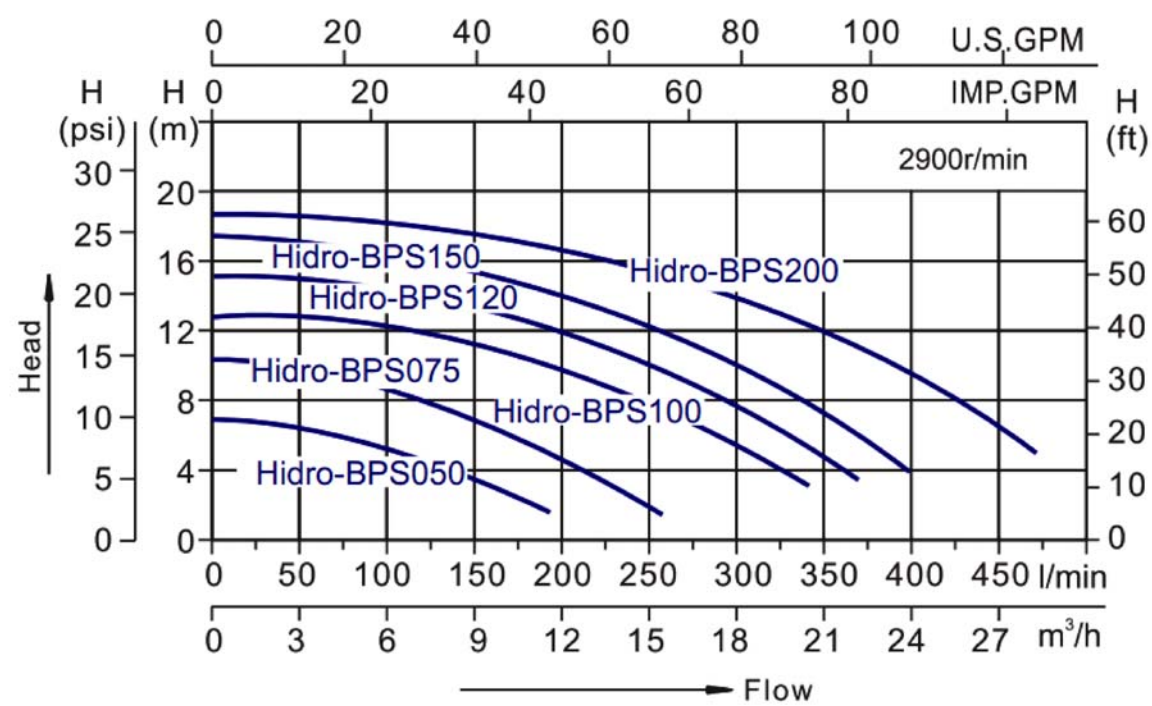
Features

- » Self Priming Function, with maximum suction 2,5m.
- » 71 Frame.
- » The wet end is made of high strength engineering plastic.
- » IPX5 Waterproof protection.
- » Overload protection.
- » Insulation class F.
- » Stainless Steel AISI-304 Shaft.
- » Build-in thermal protection, single phase motor equipped with TI KLIXON thermal protection.
- » SAA, TUV and CE certificates available.
- » Low noise level.
- » High quality wear resistant mechanical seal.
- » Complete separation of water and the shaft. It ensures reliability and long life.
- » Air switch option is available under request.

Working Conditions

- » Temperature: 5 – 50°C.
- » Environmental Temperature: <60°C.
- » Maximum working pressure: 0,3MPa

Technical data



Model	Q Max (m³/h)	H Max (m)	V	Hz	Input Power (P1)		Output Power (P2)		Amps	Connection Size
					kW	HP	kW	HP		
Hidro-BPS050	11.7	7	220-240	50	0.37	0.5	0.25	0.33	1.9	1.5"/ 48.5 or 50mm
Hidro-BPS075	15.3	10		50	0.55	0.75	0.37	0.5	2.7	
Hidro-BPS100	20.4	12.5		50	0.75	1	0.55	0.75	3.8	
Hidro-BPS120	22.2	15		50	0.90	1.2	0.65	0.85	4.6	
Hidro-BPS150	23.4	17.5		50	1.1	1.5	0.75	1	5.8	
Hidro-BPS200	28.2	18.5		50	1.5	2	1.1	1.5	7	

*220V/60Hz, 380V/50Hz, 110V/60Hz Single or Three Phase models are available on request.

*Sizes are in mm.